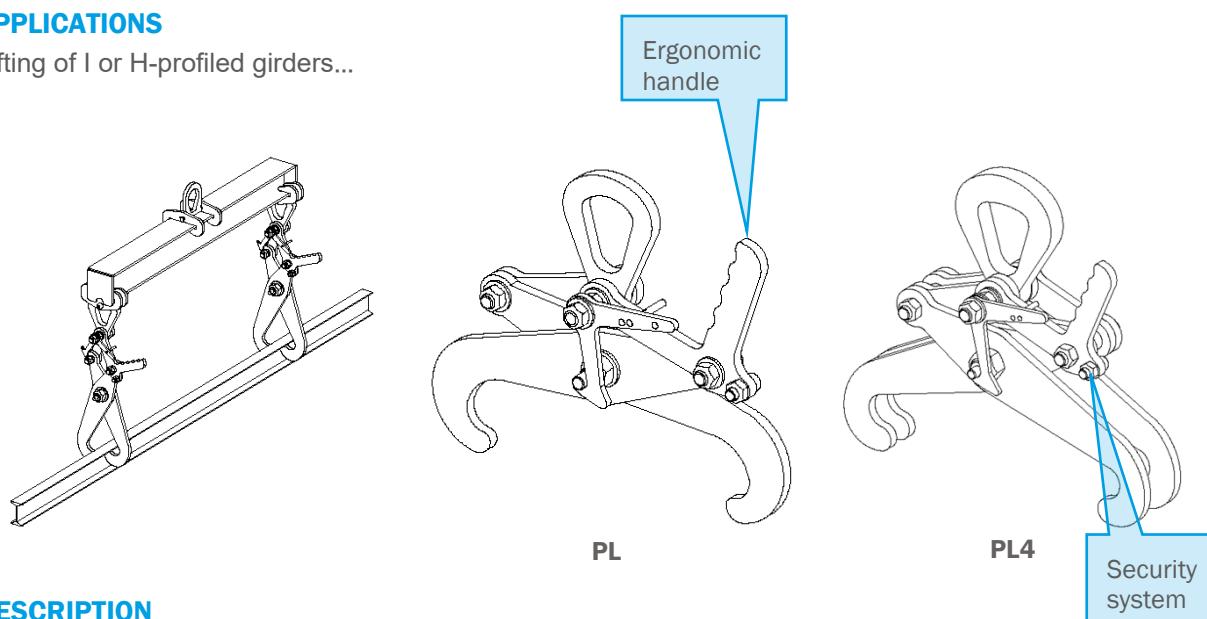


APPLICATIONS

Lifting of I or H-profiled girders...



DESCRIPTION

These accessories are fitted with an open position locking system allowing to lay down the load without any intervention on the clamp.

NEW: these clamps come with an ergonomic handle and a security screw in order to avoid the complete closure of the clamps' arms to protect the worker's hands/fingers

Nevertheless, it is still forbidden to place the hands inside the parallelogram but the risks of not following instructions are greatly reduced

FUNCTIONING

Place the clamp locked open over the profile. Lift up the lever while starting off the lift and hold it in the up position to prevent from locking again against the fastening screw. Lifting ensures proportional clamping, thus minimising load marking. When laying down, the clamp automatically locks itself open. Handles make the positioning easier.

IMPORTANT INSTRUCTIONS

- Only lift one profile at a time.
- Vertical traction only.
- Use in pairs with a lifting beam recommended.
- PL3: for any profile whose width exceeds 420 mm, the operator must locate the clamp sliding it from the profile end.
- It is possible to use this range of clamps on girders with a flange width less than the indicated one ; in this case, use in pairs with a lifting beam (clamping on profile's stem).
- Do not use inverted i.e. ring downwards (as fixing point): use GP beam clamps.
- Working temperature: -20° to +100 °C.

GENERAL CHARACTERISTICS

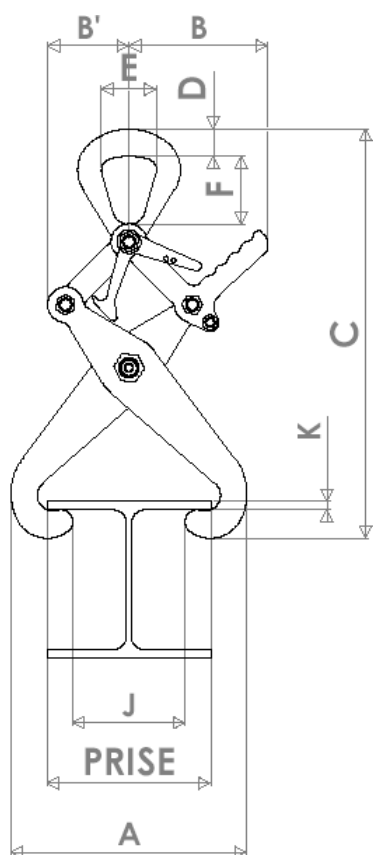
- Manufactured without load bearing welds.
- Hot epoxy coating.
- Safety factor: 3 in accordance with the EN 13155.2003 norm.
- Product conforms to the French regulation, in particular the decree of 01/03/2004 relating to the check on lifting devices and the European Directive n° 2006/42/CE.
- Product with EC marking and delivered with a declaration of conformity and instructions for use.

DIMENSIONAL CHARACTERISTICS

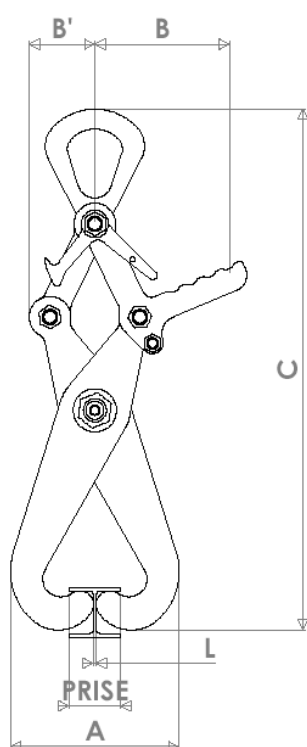
Réf.	Group code	WLL t	Opening		A		B (handle)		B'		C		D	E	F	G	H	I	J maxi	K max for		L mini	Weight kg	
			mini for		maxi	mini maxi	mini*	maxi**	mini*	maxi* *	mini maxi	Mini opening								maxi opening				
			1	2																				
PL1-95-200	185328	1	95	46	200	182	348	166	174	73	135	284	504	18	52	69	12	95	22	230	46	48	3	4
PL2-120-300	185338	2	120	55	300	196	462	167	176	76	140	348	604	23	64	80	20	119	50	330	30	30	3	8
PL3-180-450	185348	3	180	64	450**	296	627	200	205	102	182	435	768	36	74	92	25	143	61	420 ^a	23	56	3	16
PL4-120-300	185358	4	120	55	300	196	444	173	173	75	139	398	622	36	74	92	25	147	74	310	30	30	3	14

* PL3 model: for any profile whose flange width (dimension "opening" on drawings) exceeds 420 mm
The operator must locate the clamp sliding it from the profile end.

Dimensions in mm



CASE 1 : clamping on the girder's flange



CAS 2 : clamping on the girder's web

